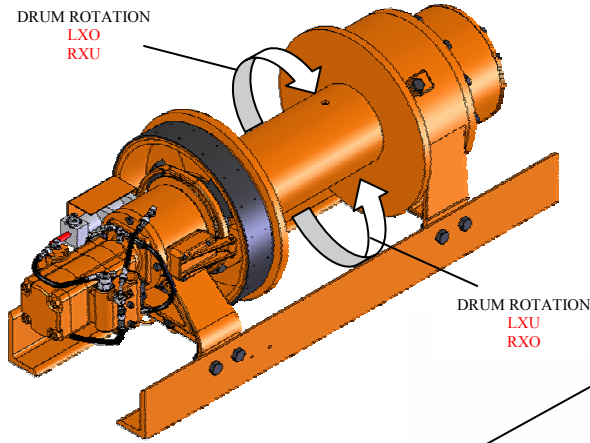


PLANETARY WINCH DRUM ROTATION BY MODEL CODE



The drum rotation can be determined from the model code that is stamped in the winch. Using the three red letters in the model codes below the drum rotation to raise can be determined with the illustration showing drum rotation.



TYPICAL
RXO
MOUNTING
ARRANGEMENT

