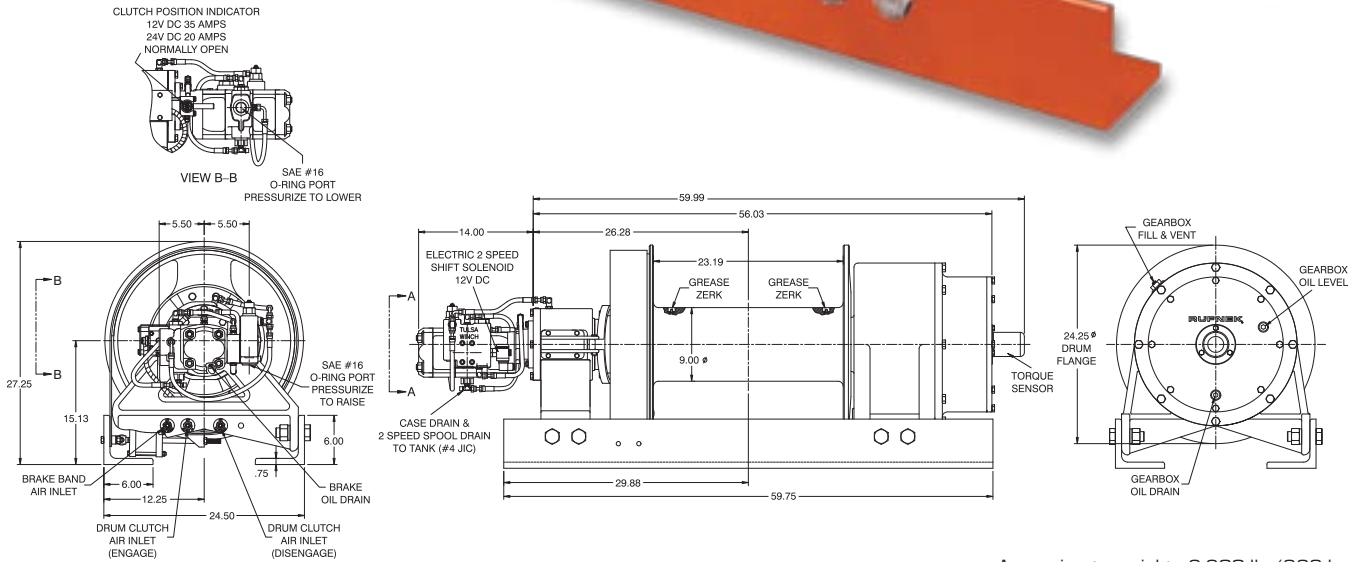


RN130P

RUFNEK® with Intelliguard™ Planetary Winch

130,000 lb. Pulling Capacity



Approximate weight: 2,200 lb / 998 kg

PERFORMANCE DATA

2,500 PSI @ 60 GPM / 172 BAR @ 227 LPM

Layer	Low Speed				High Speed				Cable	
	Linepull (lb)	Linepull (kg)	Linespeed (fpm)	Linespeed (mpm)	Linepull (lb)	Linepull (kg)	Linespeed (fpm)	Linespeed (mpm)	Capacity (ft)	Capacity 1.125" Ø (m)
1	130,000	59,706	15	5	65,828	29,853	31	9	53	16
2	107,718	48,850	19	6	53,859	24,425	37	11	118	36
3	91,146	41,335	22	7	45,573	20,667	44	13	194	59
4	78,993	35,823	25	8	39,497	17,912	51	16	283	86
5	69,700	31,609	29	9	34,850	15,804	58	18	383	117
6	62,363	28,282	32	10	31,181	14,141	65	20	495	151

CAUTION:

The last 5 wraps of cable must be left on the drum to assist the cable clamp in holding the load.

WARNING:

Winches and capstans are not intended to be used for lifting or moving of persons.

with *Intelliguard*[™]

A Product of

A

If winch
overloading
is costing you,
it's time you
discovered
**RUFNEK® with
Intelliguard™.**



RUFNEK® with *Intelliguard™*

- ● ● Field-proven technology to reduce accidents, injuries, equipment failure and costly downtime due to winch overloading
- ● ● Captures critical data on winch overload activity, including date and time of event
- ● ● Records start-and-stop run times of the truck engine
- ● ● Provides an electronic record of vital winch data that is easy to analyze
- ● ● Easy-to-read light indicator alerts operators to safe and unsafe loading capacities based on winch rating, enabling them to make better, safer operating decisions
- ● ● Allows fleet and safety managers to properly size winches for specific applications

Available as a retrofit
on any in-field RUFNEK®
planetary winch



www.team-twg.com

PO Box 1130 | Jenks, OK 74037-1130
voice 918.298.8300 | fax 918.298.8367