

# Greer Company Load Cells

The Greer Company produces an extended line of shear beam and tension link (dog-bone) load cells for cranes. All Greer load cells are constructed of high quality, stainless steel alloy, electroless nickel/chrome plated. They are completely sealed against the elements for long-life and durability. Greer's load cells offer the most accurate and reliable performance and are backed by Greer's reputation for quality and service. All Greer load cells operate at 10VDC to 15VDC and are rated at 150% of capacity.

The 5K s model (part No. A235101-005K) is a rectangular shear-beam design. It is installed in low profile and standard profile tensiometers. The unit is compact, and easy to mount.

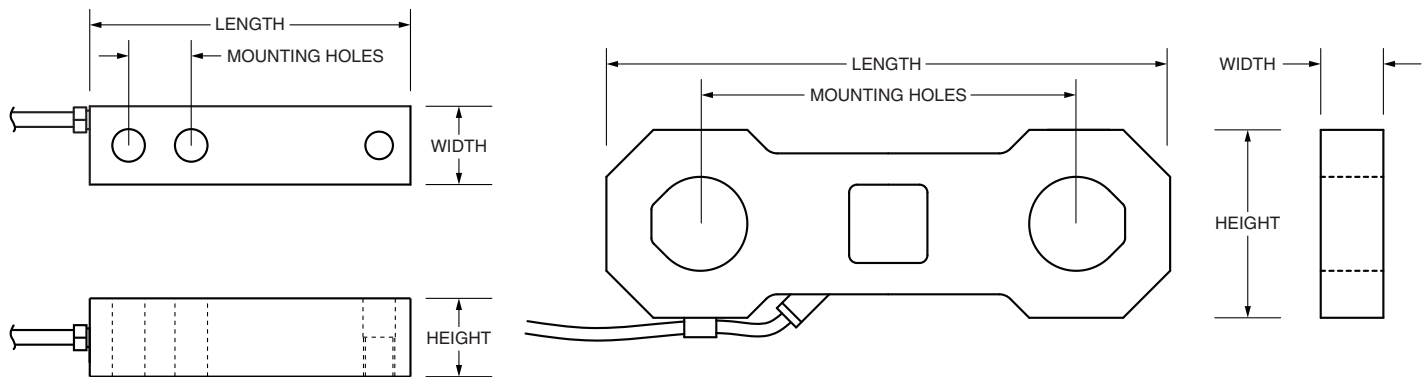
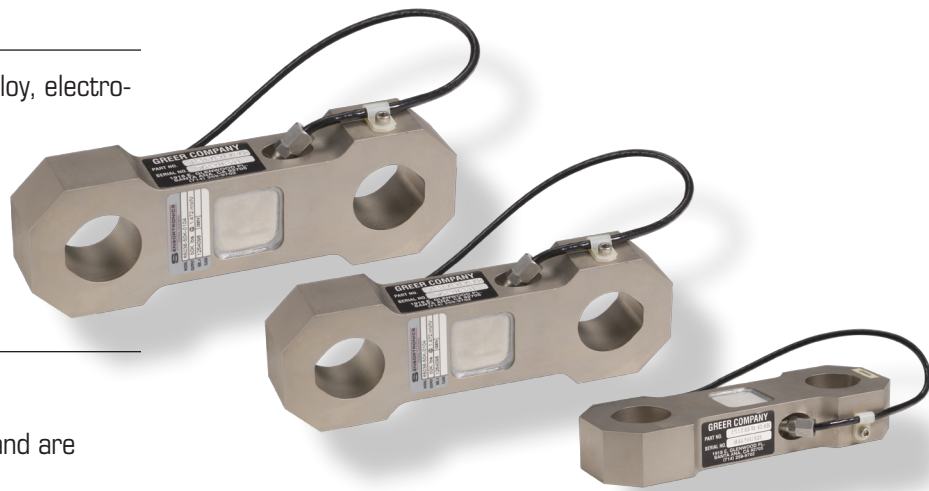
Greer's dog-bone tension load cells are available in 20K, 30K 50K and 100K ratings. They mount to the shackles between the hoist block and the load, or between the boom tip eye and wedge socket.

## Product Features

- Constructed of high quality, stainless steel alloy, electroless nickel/chrome plated
- Low voltage circuit for easy installation
- Completely sealed from the elements

## Product Benefits

- Accurate and reliable performance
- Operational voltage from 10VDC to 15VDC and are rated at 150% of capacity
- Provides long life and durability



Capacity (lbs.)	Part No.	Length (in.)	Width (in.)	Height (in.)	Mounting Holes (in.)
5,000	A235101-005K	5.12	1.25	1.25	1.00
20,000	A235101-020K	9.00	1.00	2.925	6.00
30,000	A235101-030K	9.00	1.25	2.925	6.00
50,000	A235101-050K	9.00	1.45	2.925	6.00
100,000	A235101-100K	18.00	1.45	5.75	12.00



Consider Yourself Warned.™

Voice: 918-298-8300

Fax: 918-298-8367

Greer Company is a part of Tulsa Winch Group.



[www.team-twg.com](http://www.team-twg.com)

Components in the brochure are optimized for viewing and not shown to scale.  
As a leader in product innovation, Greer Company is committed to the ongoing improvement of its equipment.  
We reserve the right to make changes to our products without notice.

© 2008 Tulsa Winch Group. All rights reserved.

W036734 04/08