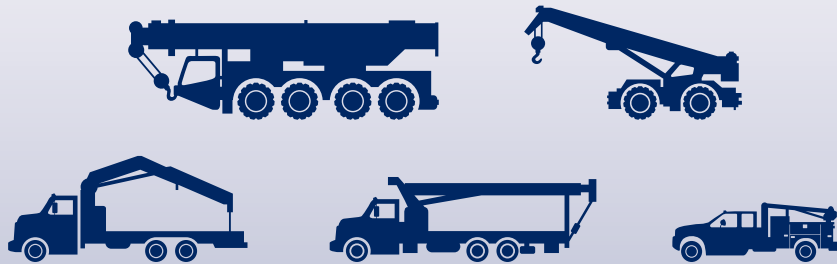




Advanced Features and Superior Benefits

- VGA graphics display system for sharper, clearer images
- Attractive 4.4" screen
- Intuitive design for quick start-up and easy use
- Multiple screens to view WAD, crane configuration, diagnostics, gauge readings and other sensor data
- Customizable configuration with minimal keystrokes
- Multiple language menu with ability to add and display additional languages
- Imperial and Metric units
- CANJ1939 and CANOpen enabled
- Ram-mount or in-dash capable
- Visual and audible alarms
- Optically bonded for optimal outdoor viewing
- Entire display is IP67 waterproof





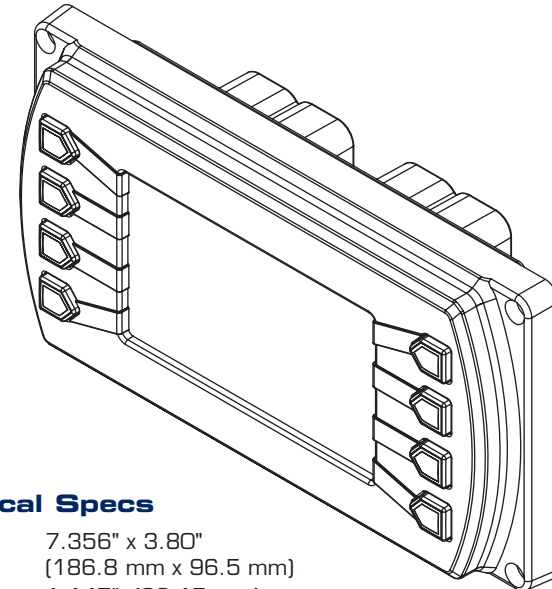
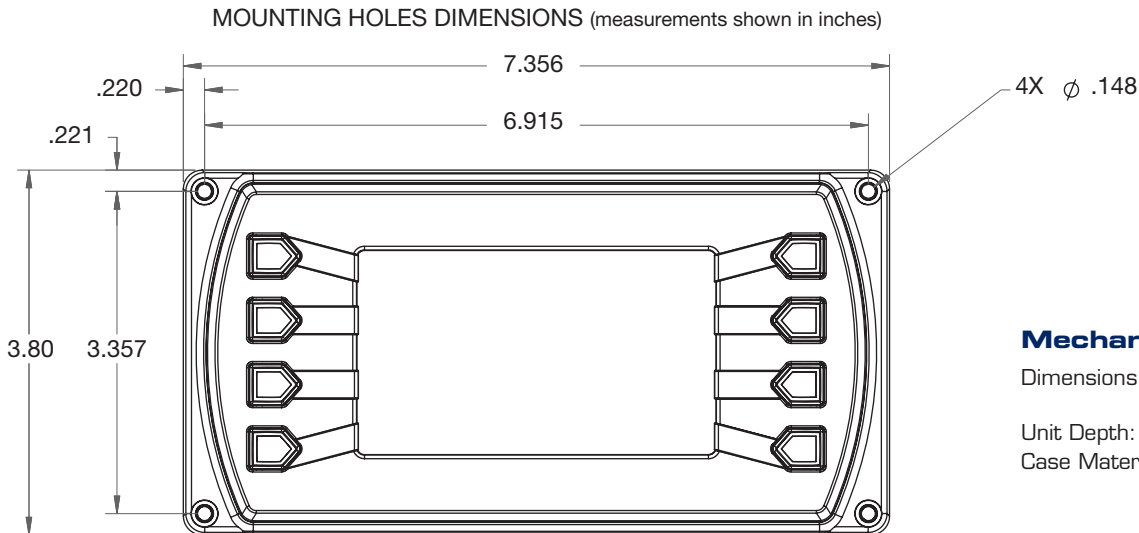
Greer Insight™ Rated Capacity Indicator

Technical Specs

Display: Bonded 4.3"/109 mm color
Resolution: WQVGA, 480 x 272 pixels, 16-bit color
Aspect Ratio: 16:9
Orientation: Landscape or portrait
Backlighting: LED, 500-650 cd/m² (30,000 hr lifetime)
Operating Voltage: 6-32 VDC, protected against reverse polarity and load-dump
Power Consumption: 10W max
CAN: 2 CAN ports, CAN 2.0B
Video Input: Optional
Protocols: J1939, CANOpen
Connection: 4 Deutsch DT 6-pin connectors
Keyboard: 8 tactile buttons
Output: (1) capable of syncing 500mA – programmed to control audio alarm
USB 2.0 host
Real-time clock with battery backup

Environmental Specs

Operating Temperature: -40° C to +85° C
Storage Temperature: -40° C to +85° C
Protection: IP 66 and 67, front and back
Emissions and Immunity: Electromagnetic compatibility: 2004/108/EC
EN 610006-4
EN 610006-2 (immunity)
EN 501121-3-2
EN 12895
J1113/2, 4, 11, 12, 21, 24, 26 and 41
Vibration: Random vibration, 7.86 Grms (5-2000 Hz), 3 axis
Shock: ± 50G in 3 axis



Mechanical Specs

Dimensions: 7.356" x 3.80"
(186.8 mm x 96.5 mm)
Unit Depth: 1.147" (29.15 mm)
Case Material: Polycarbonate back case

Contact a TWG sales representative about other available configurations.

As a leader in product innovation, TWG is committed to the ongoing improvement of its equipment. TWG reserves the right to make changes to our products without notice.

Tulsa Winch is part of TWG, a global leader in standard and engineered winch, gearbox and electronic monitoring systems.

PO Box 1130
Jenks OK 74037-1130 USA
Phone: +1-918-298-8300
www.team-twg.com

