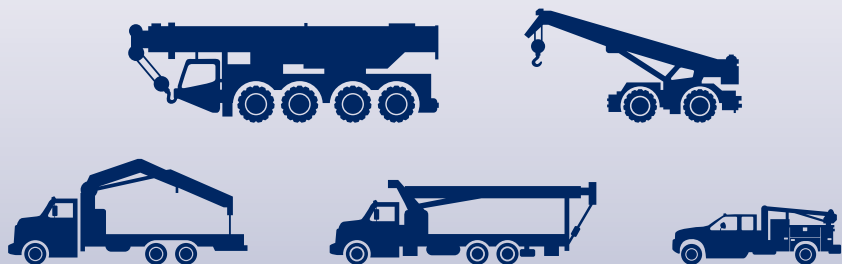




Advanced Features and Superior Benefits

- VGA graphics display system for sharper, clearer images
- Attractive 7" screen
- Expanded capabilities with same ease of use
- Multiple screens to view WAD, crane configuration, diagnostics, gauge readings and other sensor data
- Customizable configuration
- Multiple language menu
- Imperial and Metric units
- CANJ1939 and CANOpen enabled
- Entire display is IP67 waterproof
- Visual and audible alarms
- Lighted-path graphics
- Sun visor for easier viewing in bright light
- Dash-mountable





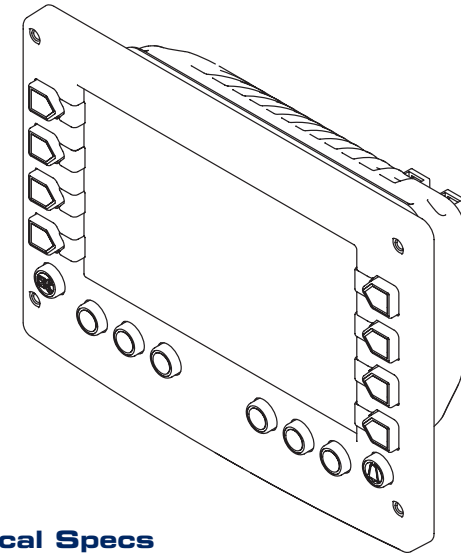
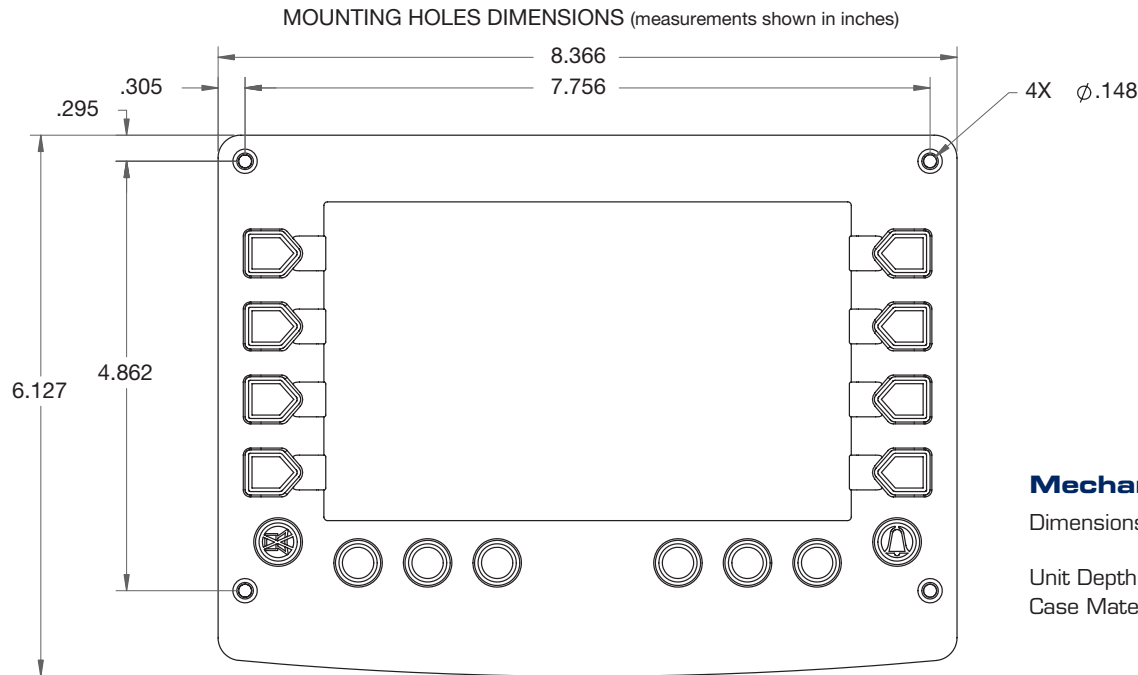
Greer Element™ Rated Capacity Indicator

Technical Specs

Display:	Bonded 7"/178 mm color
Resolution:	WGA, 800 x 480 pixels, 16-bit color
Aspect Ratio:	16:9
Orientation:	Landscape or portrait
Backlighting:	LED, 400-500 cd/mC (50,000 hr lifetime)
Operating Voltage:	6-35 VDC, protected against reverse polarity and load-dump
Power Consumption:	10W full backlight: 22w full backlight with heater (<-10° C)
CAN:	2 CAN ports
Video Input:	Optional
Protocols:	J1939, CANOpen
Connection:	5 Deutsch DT 6-pin connectors
Keyboard:	16 tactile buttons
Output:	(1) capable of syncing 500mA – programmed to control audio alarm
USB 2.0 host	

Environmental Specs

Operating Temperature:	-40° C to +85° C
Storage Temperature:	-40° C to +85° C
Protection:	IP 67, front and back
Emissions and Immunity:	IEC 60945, 95/54/EC
Immunity:	SAE J1113, ISO 11452
Vibration:	Random vibration, 7.86 Grms (5-2000 Hz), 3 axis
Shock:	± 50G in 3 axis



Mechanical Specs

Dimensions:	8.37" x 6.13" (212.5 mm x 155.7 mm)
Unit Depth:	3.57" (90.8 mm)
Case Material:	Polycarbonate back case

Contact a TWG sales representative about other available configurations.

As a leader in product innovation, TWG is committed to the ongoing improvement of its equipment. TWG reserves the right to make changes to our products without notice.

Tulsa Winch is part of TWG, a global leader in standard and engineered winch, gearbox and electronic monitoring systems.

PO Box 1130
Jenks OK 74037-1130 USA
Phone: +1-918-298-8300
www.team-twg.com

