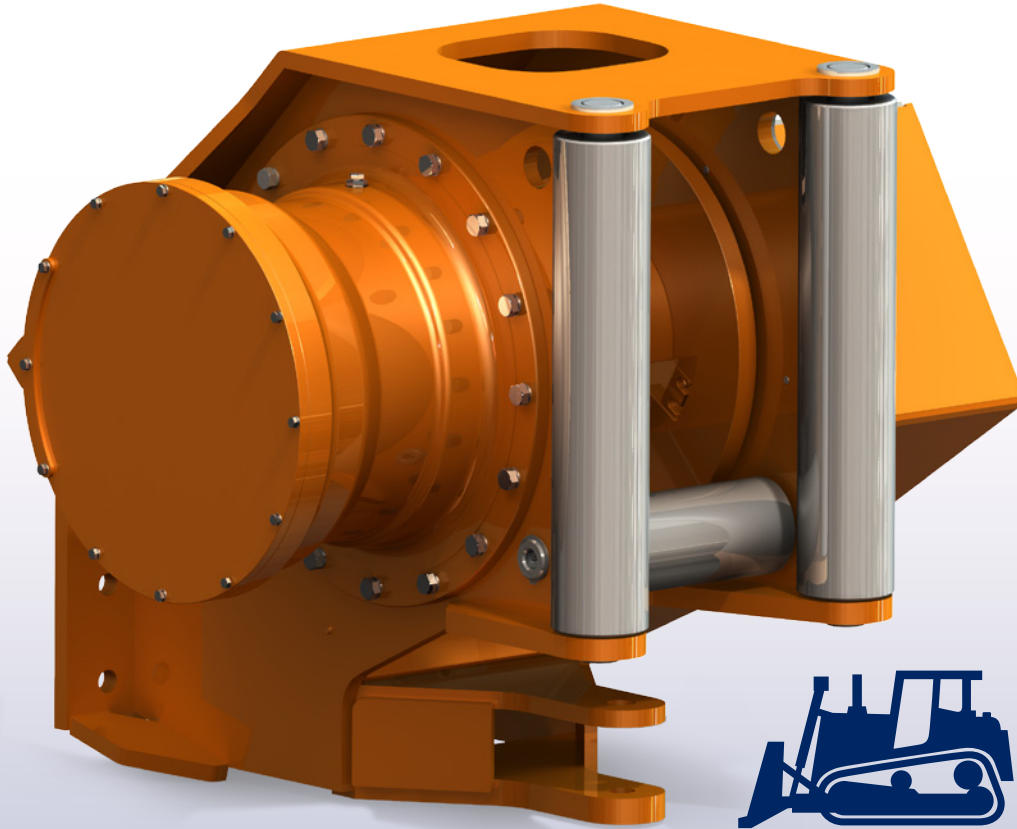


TractorMax 100 Hydraulic Winch

100,000 lb (444.8 kN) Line Pull



Advanced Features and Superior Benefits

Hydraulically released drum clutch

Allows drum to be disengaged on the fly

Integral spring-applied, hydraulically-released multiple disk brake with hydraulic brake valve and overrunning clutch

Provides superior load control and smoother operation in the best possible configuration to ensure longer brake life

Universal Mounting Base

Easy installation; versatile rigging options



Infrastructure | Energy | Recovery

www.team-twg.com

TWG is a global leader in standard and engineered winch, gearbox and electronic monitoring systems.

USA: DP Winch: sales@team-twg.com
Gear Products: sales@team-twg.com
Greer: sales@team-twg.com
Tulsa Winch: sales@team-twg.com

Canada: LANTEC: sales@team-twg.ca
Pullmaster: sales@team-twg.ca

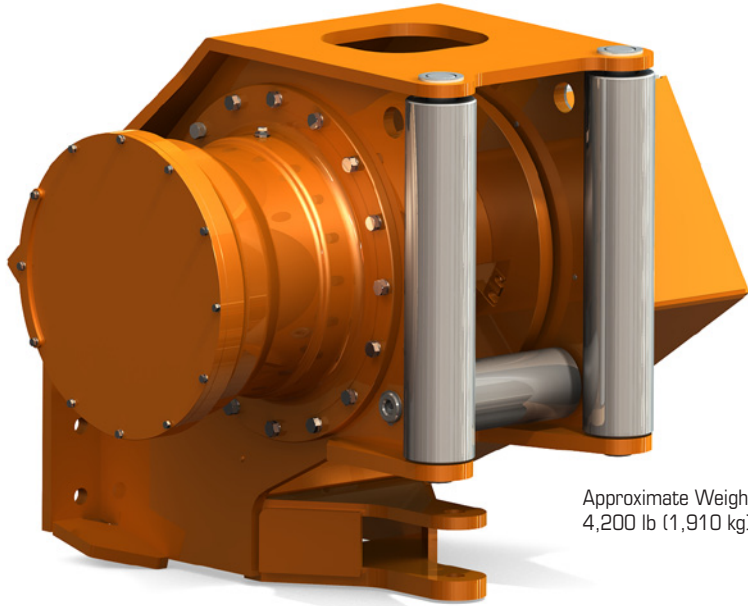
Latin America: sales-BR@team-twg.com
Europe: salesEU@team-twg.com

TWG Headquarters
PO Box 1130
Jenks OK 74037-1130 USA
Phone: +1-918-298-8300

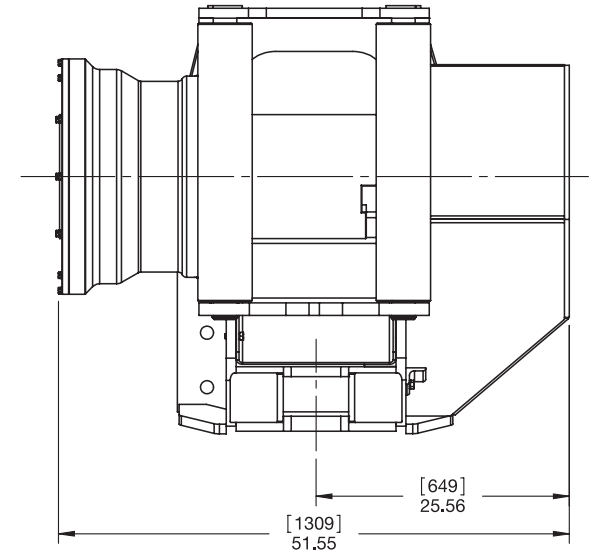
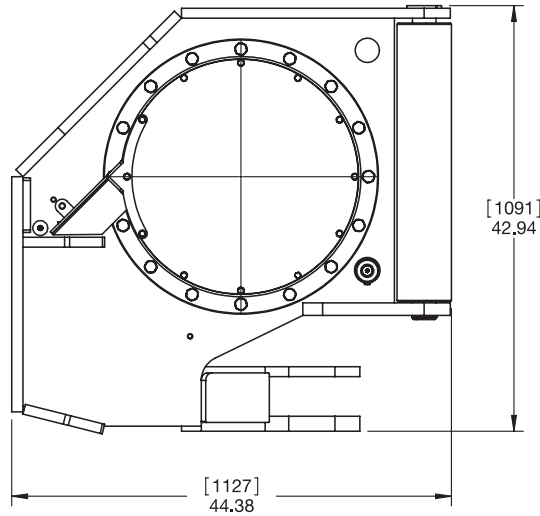
DP Winch | Gear Products | Greer Company | LANTEC | Pullmaster | Tulsa Winch

TractorMax 100 Hydraulic Winch

100,000 lb (444.8 kN) Line Pull



Approximate Weight:
4,200 lb (1,910 kg)



Performance Data						
Layer	Rope Capacity		Line Pull		Line Speed	
	ft	m	lb	kN	fpm	mpm
1	34	10	100,000	444.8	19	5.8
2	75	23	84,600	376.3	22	6.7
3	122	37	73,300	326.0	25	7.6
4	175	53	64,700	287.8	29	8.8

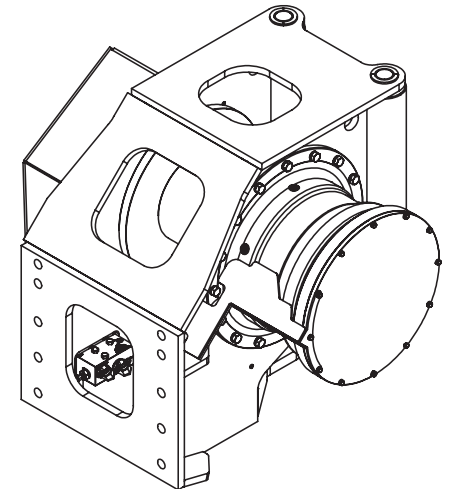
Performance is based on 66 gpm (250 lpm) @ 2,400 psi (166 bar) with Ø1 1/4" (32 mm) rope.

The rated line pulls are for the winch only. Consult the rope manufacturer for the rope ratings.

⚠ WARNING:
Winches are not intended to be used for the lifting or moving of persons.

⚠ CAUTION:
The last 5 wraps of cable must be left on the drum to assist the cable clamp in holding the load.

Review the product application manual before installation and operation of all TWG products.



Contact a TWG sales representative about other available configurations.

As a leader in product innovation, TWG is committed to the ongoing improvement of its equipment. TWG reserves the right to make changes to our products without notice.

PO Box 1130
Jenks OK 74037-1130 USA
Phone: +1-918-298-8300
www.team-twg.com

