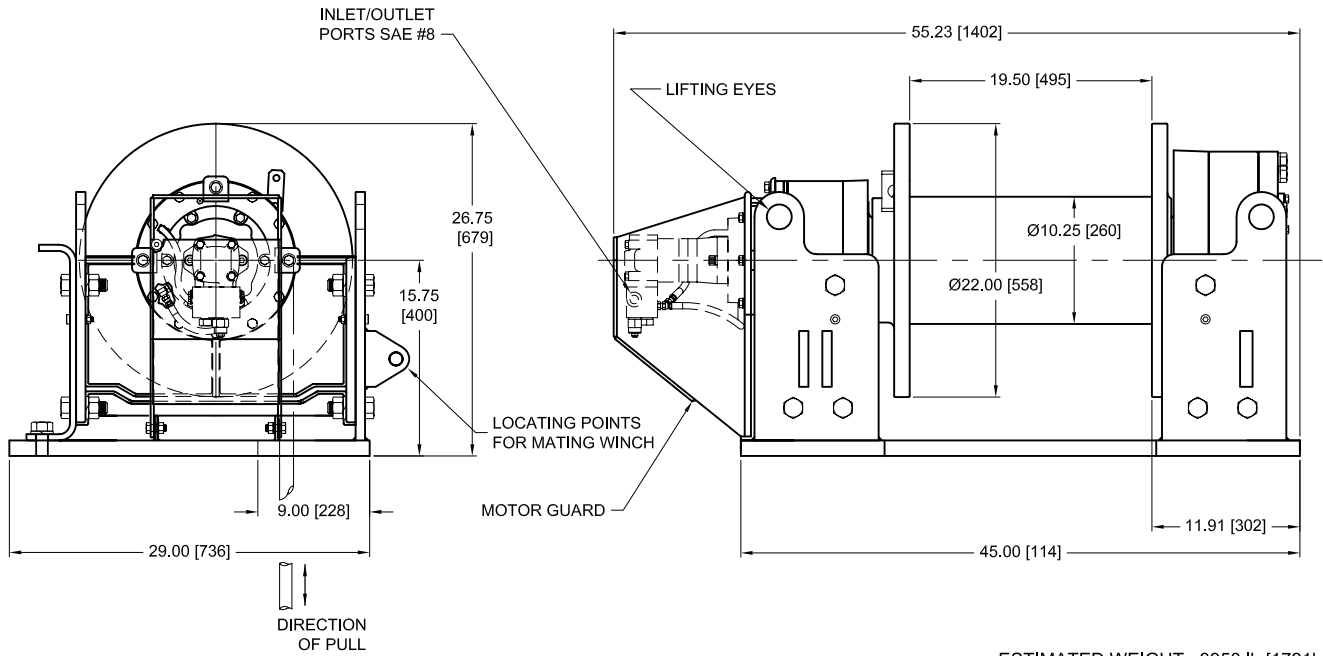




Model BP50

50,000 lb. [222.4 kN]



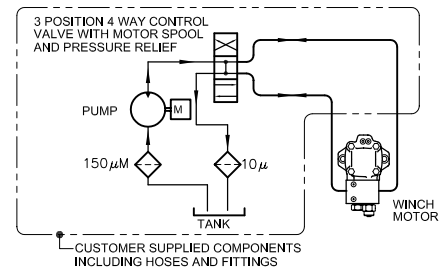
ESTIMATED WEIGHT: 3950 lb [1791kg]
DUAL DIMENSIONED-INCHES [mm]

PERFORMANCE DATA

LAYER	LINE PULL		LINE SPEED		DRUM CAPACITY	
	lbs.	kN	fpm	mpm	ft.	m
1	50,000	222.4	12	3.6	46	14.0
2	41,700	185.4	14	4.2	102	31.0
3	35,800	159.2	17	5.1	167	50.9
4	31,400	139.6	19	5.7	241	73.4
5	27,900	124.0	21	6.4	324	98.7

Performance is based on 20 gpm [75 l/min] @ 2600 psi [179bars] with Ø1 1/8 [28.6mm] wire rope.

TYPICAL HYDRAULIC SYSTEM



The rated line pulls are for the winch only. Consult API RP 9B, section 3.3.3.D and API Specification 7K, section 9.13.3.13 for information on rope selection of BOP handling system winches.

Contact your dp sales representative for additional options and features not shown.

Because of continued product improvement, we reserve the right to make changes without notice.

⚠ WARNING	⚠ CAUTION
Winches are not intended to be used for the lifting or moving of persons.	The last 5 wraps cable must be left on the drum to assist the cable clamp in holding the load.

dp Winch is a brand of TWG, a world class manufacturer of integrated gearing and electronic

P.O.Box 1130
Jenks, OK 74037-1130
Voice: 918-298-8300
Fax: 918-298-8301
www.dpwinch.com

