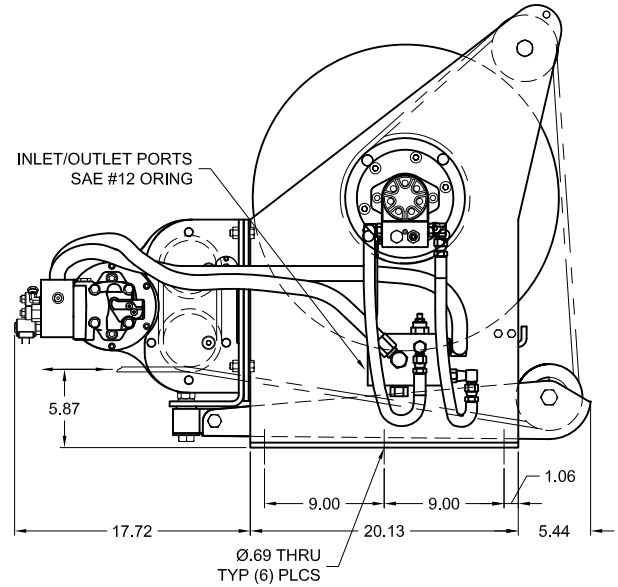
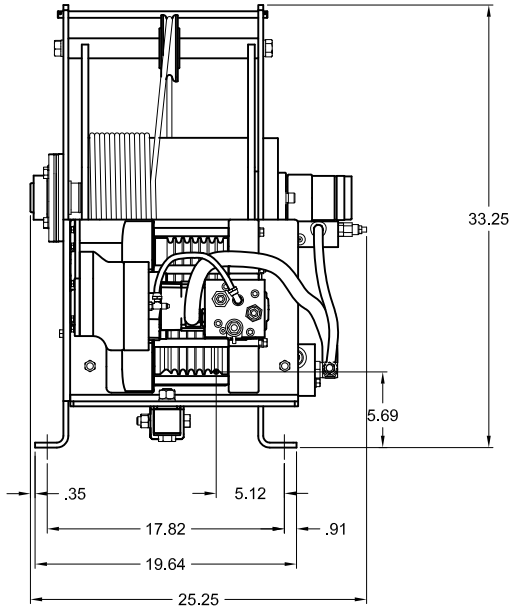




# Model 7 TR

7,000 lb.



APPROX. WEIGHT: 950 lb.

7TR WINCH	Low Speed	High Speed
Line Pull (lb)	7000	3500
Line Speed (fpm)* (pay-in)	45	82
Line Speed (fpm) (pay-out)	56	111

Performance is based on 12 gpm @ 2600 psi (15 gpm max).

\*Minimum pay-in speed at 12 gpm.

See the "Traction Winch Application Manual" for specific hydraulic system requirements. It is available at [www.dpwinch.com](http://www.dpwinch.com)

#### WIRE ROPE CAPACITY

Wire Rope (in.)	Capacity (ft)
Ø3/8	2000

Maximum rope storage capacity

Contact your dp sales representative for additional options and features not shown.  
The rated line pulls are for the winch only. Consult the wire rope manufacturer for wire rope ratings.

Because of continued product improvement, we reserve the right to make changes without notice.

<b>⚠ WARNING</b>	<b>⚠ CAUTION</b>
Winches are not intended to be used for the lifting or moving of persons.	The last 5 wraps cable must be left on the drum to assist the cable clamp in holding the load.

dp Winch is a part of the Tulsa Winch Group, a worldwide provider of winch systems and electronic load information systems.

P.O.Box 1130  
Jenks, OK 74037-1130  
Voice: 918-298-8300  
Fax: 918-298-8301  
[www.dpwinch.com](http://www.dpwinch.com)

