



All LINEMAN[®] Traction Winches Feature:

- Cooler operating temperatures
- Less wear on internal parts
- Continuous-use duty cycles
- Lower hydraulic requirements
- More compact designs
- Less maintenance



LINEMAN[®]

A Product of **dp[®]**
WINCH

P.O. Box 1130 • Jenks, OK 74037-1130
Voice: 918.298.8300 • Fax: 918.298.8301
www.team-twg.com

LINEMAN®

Constant-Pull Traction Winches



Advanced Features. Superior Benefits.

First layer performance

Constant rope pitch diameter provides constant pull and speed.

7,000, 15,000, 20,000 and 25,000 lb. winch rating

Delivers constant line pull and performance sized to match job requirements.

Increased rope life

Drum grooves provide rope support during heavy pulling. Grooves help rope keep its shape and guard against side abrasion.

Large rope storage capacity

Provides longer pulls with one setup.

Low torque storage drums

Prevents rope from flattening, wedging into a lower layer, and side abrasion while winding.

Hydraulically released balanced piston brake on the 15TR, 20TR and 25TR

Prevents winch brake from being released by backpressure.

Radio remote control

Winch can be operated at a safe distance and with maximum operator mobility.

Performance Data

	Line Pull (lb)	Line Speed (pay-in) (fpm)*	Line Speed (pay-out) (fpm)
25TR Winch			
Speed:			
Low	25,000	38	42
High	12,500	70	84

Performance is based on 30 gpm @ 2,700 psi.
*Minimum pay-in speed at 30 gpm

20TR Winch

Speed:

Low	20,000	47	54
High	10,000	85	107

Performance is based on 28 gpm @ 2,900 psi.
*Minimum pay-in speed at 28 gpm

15TR Winch (not pictured in catalog)

Speed:

Low	15,000	68	81
High	7,500	118	162

Performance is based on 30 gpm @ 3,000 psi.
*Minimum pay-in speed at 30 gpm

Wire Rope Capacity

Wire Rope (in.)	Capacity (ft.)
Ø7/16	3,000
Ø1/2	2,400
Ø9/16	1,900
Ø5/8	1,450

Maximum rope storage capacity

Rated line pulls are for the winch only. Consult the wire rope manufacturer for wire rope ratings.

25TR, 20TR and 15TR traction winches require up to 15 HP thermal cooling capacity from the hydraulic system.

⚠ CAUTION:

The last 5 wraps of cable must be left on the drum to assist the cable clamp in holding the load.

⚠ WARNING:

Winches and capstans are not intended to be used for lifting or moving of persons.

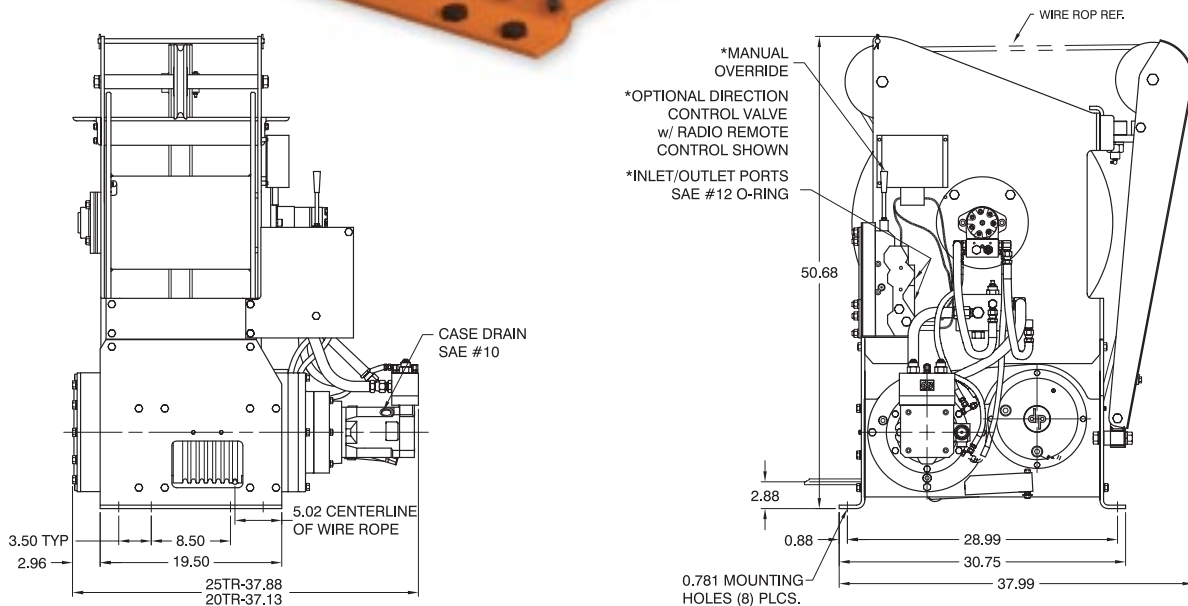
Outstanding performance, more consistent operation, increased rope life

20TR



Radio Remote Control
(optional)

Approximate weight 2,200 lb
(less wire rope)

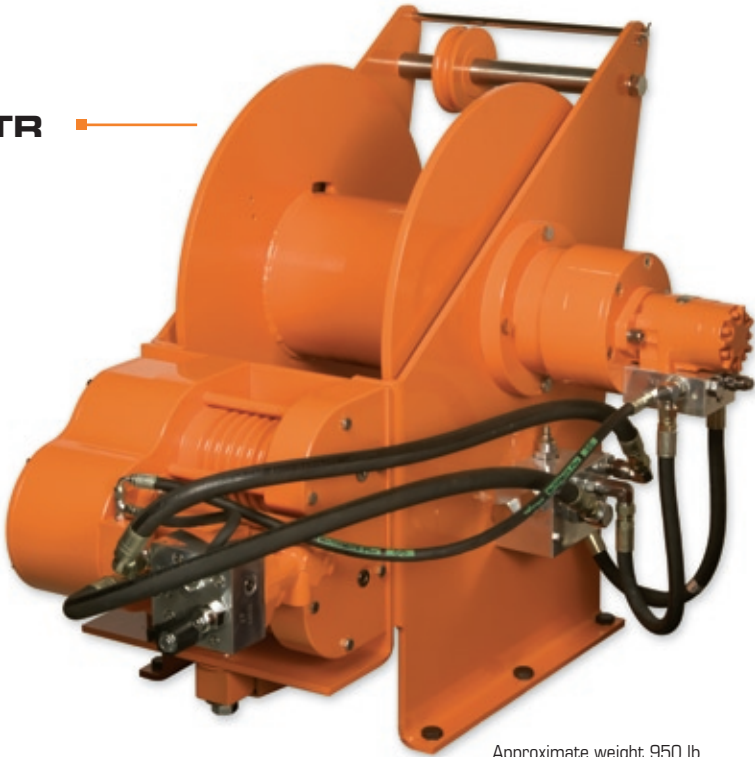


7TR Constant-Pull Traction Winch

The latest in the dp Winch family of outstanding winch products

Lineman's 7TR constant-pull traction winch offers a smaller footprint, constant line pull, and all the safety amenities you've come to expect from the leader in Utility winches.

7TR 



Approximate weight: 950 lb
(less wire rope)

Performance Data

	Line Pull (lb)	Line Speed (pay-in) (fpm)*	Line Speed (pay-out) (fpm)
7TR Winch			
Speed:			
Low	7,000	45	56
High	3,500	82	111

Performance is based on 12 gpm @ 2,600 psi.

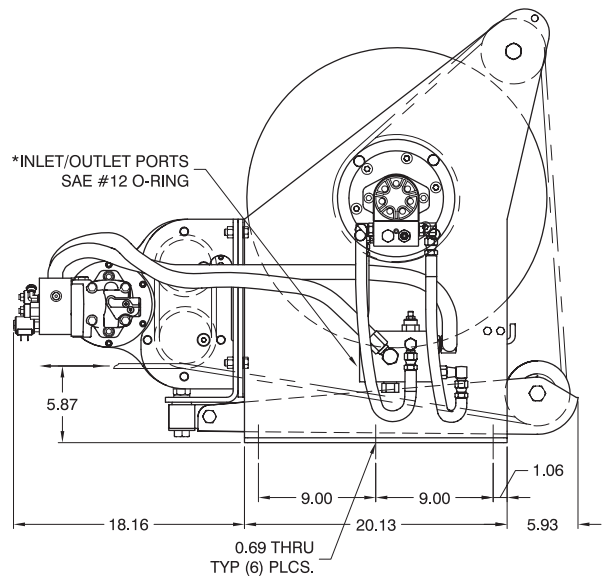
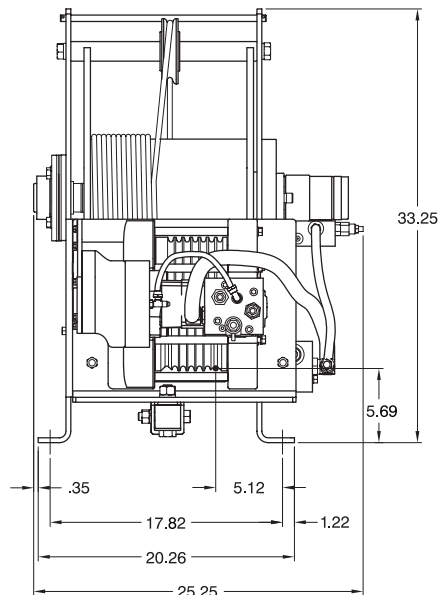
*Minimum pay-in speed at 12 gpm

Wire Rope Capacity

Wire Rope (in.)	Capacity (ft)
Ø3/8	2,000

Maximum rope storage capacity

7TR traction winches require up to 8 HP thermal cooling capacity from the hydraulic system.



CAUTION:
The last 5 wraps of cable must be left on the drum to assist the cable clamp in holding the load.

WARNING:
Winches and capstans are not intended to be used for lifting or moving of persons.