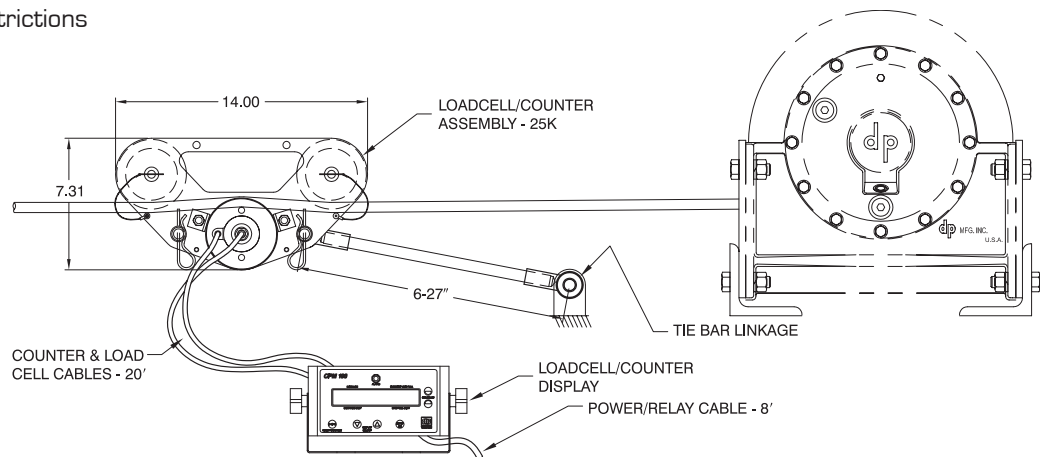


LINEMAN[®] Accessories

CPM100 Load and Distance Monitor

Smart technology to keep operators and equipment working safely.

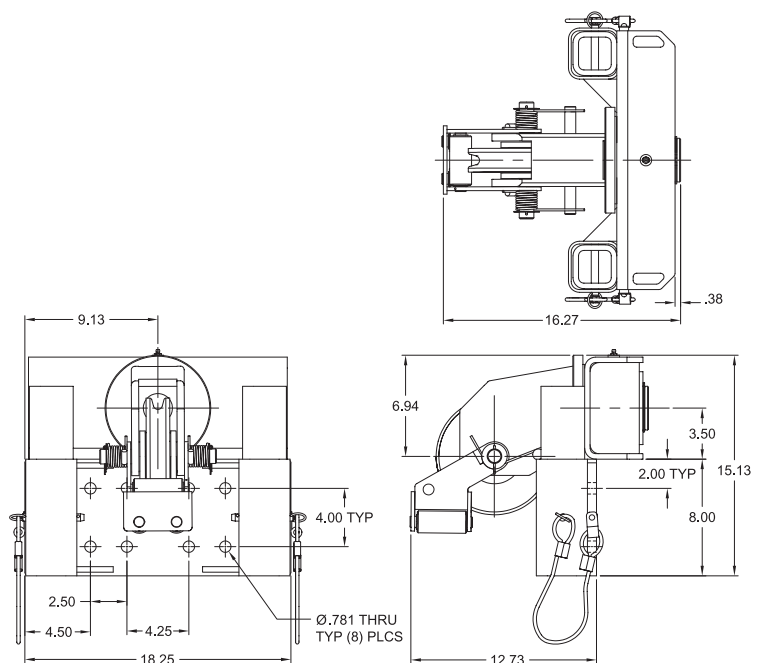
- Precise line pull display
- Precise length of pull
- Operator settable audible/visual alarms offer extra protection against overload conditions by alerting operator of approaching restrictions
- Peak line pull for each use



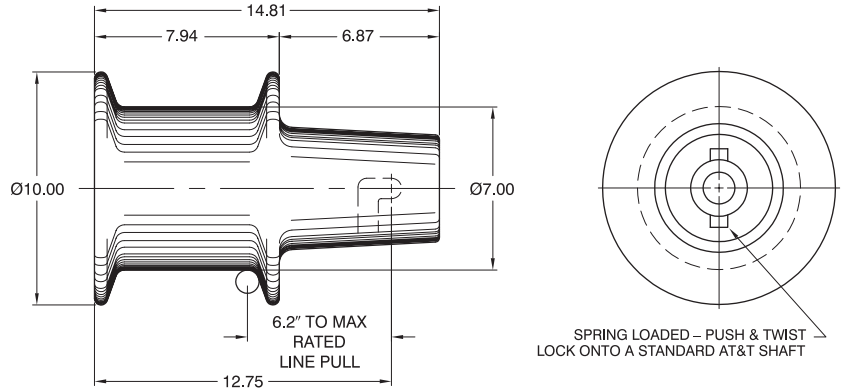
The CPM100 is available for 3/8", 7/16", 1/2", 9/16" and 5/8" wire rope. *Must be specified at time of purchase.*

UV250 Sheave

- Universal, 360° movement
- Rated to 25,000 lbs.
- Removeable for maximum truck bed usage



55114 Capstan Head



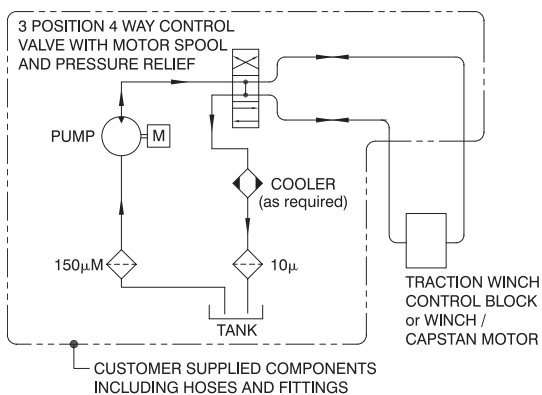
Approximate weight 26 lb

Maximum rated line pull for capstan head is 6,000 lbs. For the overall equipment rating see the capstan or extended shaft rating and your rope rating. The overall rating must be limited to the component with the lowest load rating.

Designed to be used only with non-metallic rope.

- Made from high strength aluminum casting
- Barrel is machined to a smooth finish
- For use with a standard AT&T shaft

Typical Hydraulic System



⚠ CAUTION:	⚠ WARNING:
The last 5 wraps of cable must be left on the drum to assist the cable clamp in holding the load.	Winches and capstans are not intended to be used for lifting or moving of persons.

Contact your dp sales representative for additional options and features not shown in this product catalog.

As a leader in product innovation, dp Winch is committed to the ongoing improvement of its equipment. We reserve the right to make changes to our products without notice.

© 2006 Tulsa Winch Group. All rights reserved.

dp Winch is a part of Tulsa Winch Group, a global leader in standard and engineered winch, gearbox and load information systems.

LINEMAN® is a registered brand of dp Manufacturing, Inc.